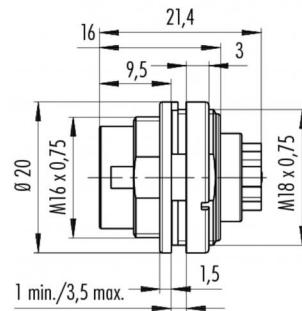


Product description **Contacts: 7, male panel mount connector, crimp**
 Area **M16 IP40 Series 581/ 680/ 682**
 Order number **09 0327 700 07**

Illustration



Scale drawing



You can find the assembly instructions on the next page.

Technical data

General values

Connector design	male panel mount connector
Connector locking system	bolted
Termination	crimp (Crimp contacts must be ordered separately)
Wire gauge (mm)	siehe Crimpkontakte unter Zubehör
Upper limit temperature	85 °C
Lower limit temperature	-40 °C

Electrical values

Rated current (40 °C)	5 A
Rated voltage	125 V
Rated impulse voltage	800 V
Pollution degree	1
Overvoltage category	I
Insulating material group	III
Volume resistivity	≤ 5 mΩ
Insulation resistance	≥ 10 ¹⁰ Ω
EMC compliance	Shielding is not possible
Degree of protection	IP40
Mechanical operation	> 500 Mating cycles

Material

Contact material	depending on crimp contact (accessory)
Contact body material	PBT (UL 94 V-0)

Product description

Contacts: 7, male panel mount connector, crimp

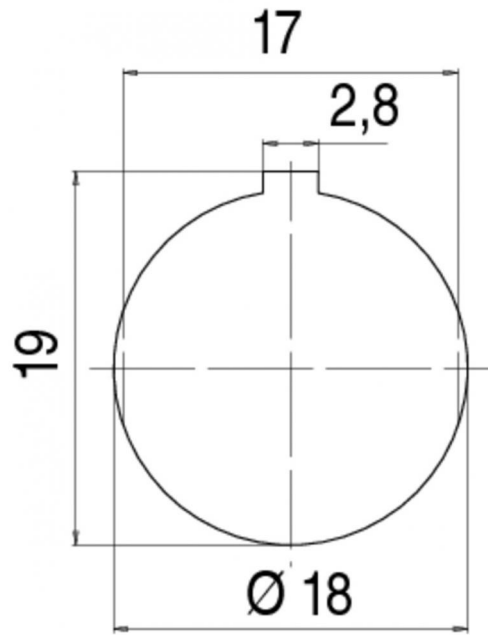
Area

M16 IP40 Series 581/ 680/ 682

Order number

09 0327 700 07

Assembly instructions / Panel cut-out



Product description **Contacts: 7, male panel mount connector, crimp**

Area **M16 IP40 Series 581/ 680/ 682**
Order number **09 0327 700 07**

Security notices

The connector must not be connected or separated under load. Non-observance and incorrect use can result in personal injury.

The connectors are designed for use in plant, control system and electrical equipment. The end user is responsible for checking whether the connectors are suitable for use in other applications.

To prevent the connector being opened unintentionally when used in electrical circuits containing hazardous life parts, the thread between the housing and the connector head must be secured using a suitable cyanoacrylate adhesive. This does not apply to connectors used in SELV and PELV circuits according to IEC 61140 (EN 61140, VDE 0140-1).