

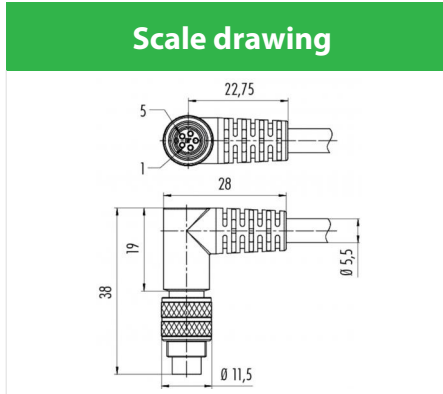
Product description **Contacts: 3, male angled connector overmoulded, shielded, cable length 5m**

Area **M9 IP67 Series 702**  
Order number **79 1405 75 03**

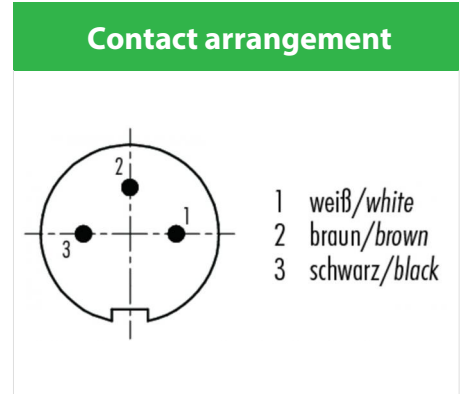
### Illustration



### Scale drawing



### Contact arrangement



## Technical data

### General values

Connector design	male angled connector
Connector locking system	bolted
Termination	moulded on cable
Wire gauge (mm)	0,25 mm <sup>2</sup>
Wire gauge (AWG)	24
Upper limit temperature	70 °C
Lower limit temperature	-25 °C

### Cable data

Sheath material	PUR
Single-lead insulation	PVC
Single-lead structure	14 x 0,15 mm
Cable diameter	5,3
Conductor resistance	75Ω/Km
Temperature range, moving cable, °C from	-5
Temperature range, moving cable, °C to	70
Temperature range, fixed cable, °C from	-25
Temperature range, fixed cable, °C to	70
Bending radius, fixed cable	Min. 53 mm
Bending radius, moving cable	Min. 80 mm

### Electrical values

Rated current (40 °C)	4 A
Rated voltage	125 V
Rated impulse voltage	1500 V
Pollution degree	1
Overvoltage category	II
Insulating material group	III
Volume resistivity	≤ 3 mΩ
Insulation resistance	≥ 10 <sup>10</sup> Ω
EMC compliance	shielded
Degree of protection	IP67
Mechanical operation	> 500 Mating cycles

### Material

Contact material	CuZn (brass)
Contact plating	Au (gold)
Contact body material	PBT (UL 94 V-0)
Housing material	PUR

Product description **Contacts: 3, male angled connector overmoulded, shielded, cable length 5m**

Area **M9 IP67 Series 702**  
Order number **79 1405 75 03**

## Security notices

The connector must not be connected or separated under load. Non-observance and incorrect use can result in personal injury.

The connectors are designed for use in plant, control system and electrical equipment. The end user is responsible for checking whether the connectors are suitable for use in other applications.

To lock the cable connector to the equipment connector, the threaded ring is tightened until it is 'finger-tight' (approx. 50 cNm).