

# Product data sheet

## Miniature connectors



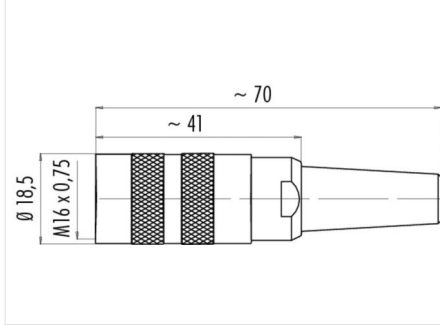
Product description **M16 IP40 female cable connector, Contacts: 5 (stereo), 6.0 - 8.0 mm, shieldable, solder, IP40**

Area **M16 IP40 series 581**  
Order number **99 2018 20 05**

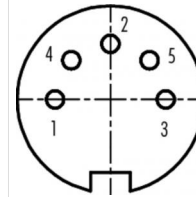
### Illustration



### Scale drawing

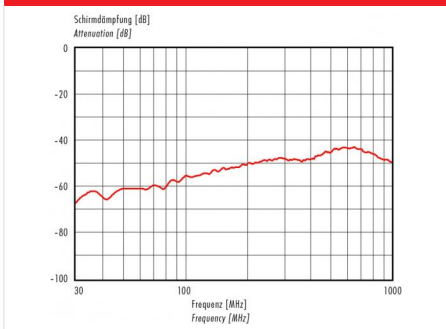


### Contact arrangement



	X	Y
1	-3,50	0,00
2	0,00	3,50
3	3,50	0,00
4	-2,47	2,47
5	2,47	2,47

### Derating curve



You can find the component part drawing on the next page.

## Technical data

### General values

Connector design	female cable connector
Connector locking system	screw
Termination	solder
Wire gauge (mm)	0.75 mm <sup>2</sup>
Wire gauge (AWG)	18
Cable outlet	6.0 - 8.0 mm
Upper limit temperature	85 °C
Lower limit temperature	-40 °C
Customs tariff number	85369010

### Electrical values

Rated current (40 °C)	6 A
Rated voltage	60 V
Rated impulse voltage	500 V
Pollution degree	1
Overvoltage category	I
Insulating material group	III
Volume resistivity	≤ 5 mΩ
Insulation resistance	≥ 10 <sup>10</sup> Ω
EMC compliance	shieldable
Degree of protection	IP40
Mechanical operation	> 500 Mating cycles

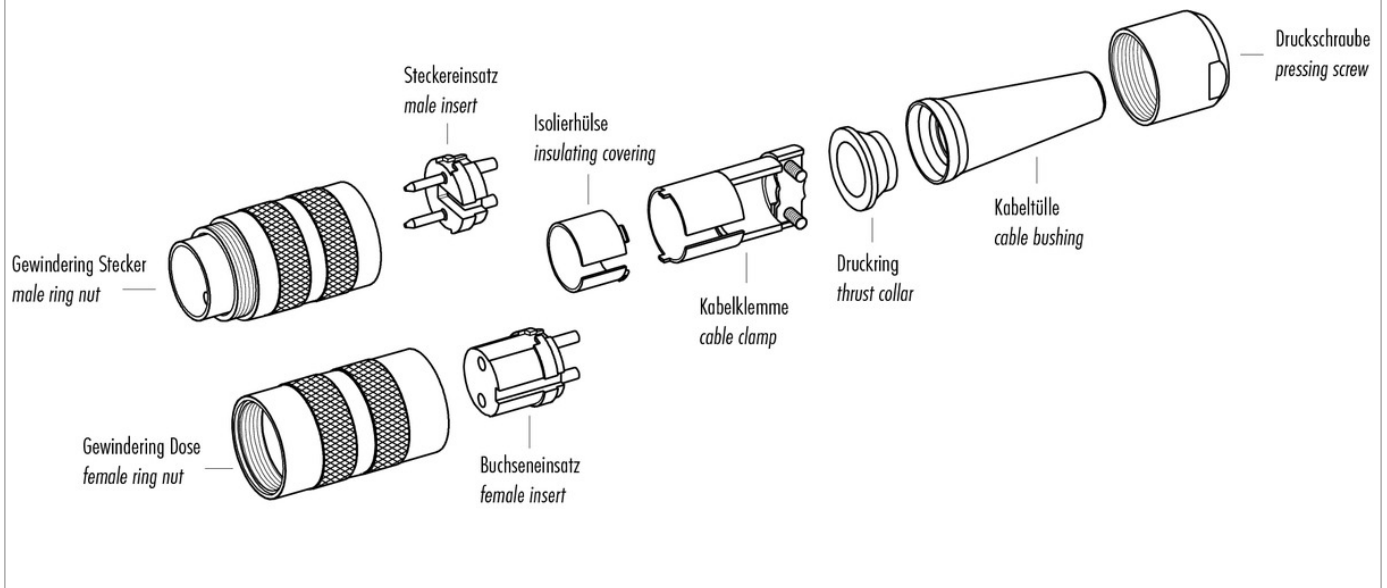
### Material

Contact material	CuSn (bronze)
Contact plating	Ag (silver)
Contact body material	PBT (UL 94 V-0)

Product description **M16 IP40 female cable connector, Contacts: 5 (stereo), 6.0 - 8.0 mm, shieldable, solder, IP40**

Area **M16 IP40 series 581**  
Order number **99 2018 20 05**

Component part drawing



Product description	<b>M16 IP40 female cable connector, Contacts: 5 (stereo), 6.0 - 8.0 mm, shieldable, solder, IP40</b>
Area	<b>M16 IP40 series 581</b>
Order number	<b>99 2018 20 05</b>

## Security notices

The connectors are designed for use in plant, control system and electrical equipment. The end user is responsible for checking whether the connectors are suitable for use in other applications.

To lock the cable connector to the equipment connector, the threaded ring is tightened until it is 'finger-tight' (approx. 50 cNm).