

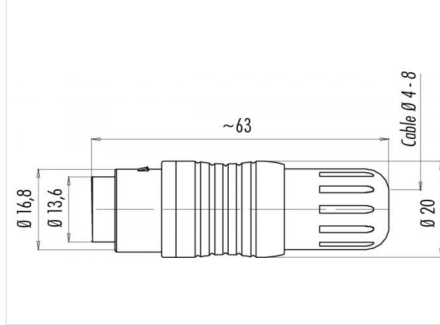
Product description **Contacts: 12, cable plug connector, shieldable**

Area **Push-Pull IP67 Series 440**  
 Order number **99 4833 00 12**

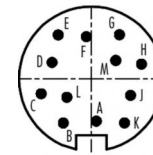
### Illustration



### Scale drawing



### Contact arrangement



	X	Y
A	0,44	-3,45
B	-2,29	-3,61
C	-4,10	-1,21
D	-3,20	1,34
E	-2,71	3,59
F	-0,41	3,45
G	2,29	3,61
H	4,10	1,21
J	3,20	-1,34
K	2,71	-3,59
L	-2,00	-1,51
M	2,00	1,51

**You can find the component part drawing and assembly instructions on the next page.**

## Technical data

### General values

Connector design	cable connector
Connector locking system	Push-Pull
Termination	solder
Wire gauge (mm)	0,25 mm <sup>2</sup>
Wire gauge (AWG)	24
Cable outlet	4,0 - 8,0 mm
Upper limit temperature	85 °C
Lower limit temperature	-40 °C

### Electrical values

Rated current (40 °C)	3 A
Rated voltage	60 V
Rated impulse voltage	500 V
Pollution degree	1
Overvoltage category	I
Insulating material group	III
Volume resistivity	≤ 3 mΩ
Insulation resistance	≥ 10 <sup>10</sup> Ω
EMC compliance	shieldable
Degree of protection	IP67
Mechanical operation	> 1000 Mating cycles

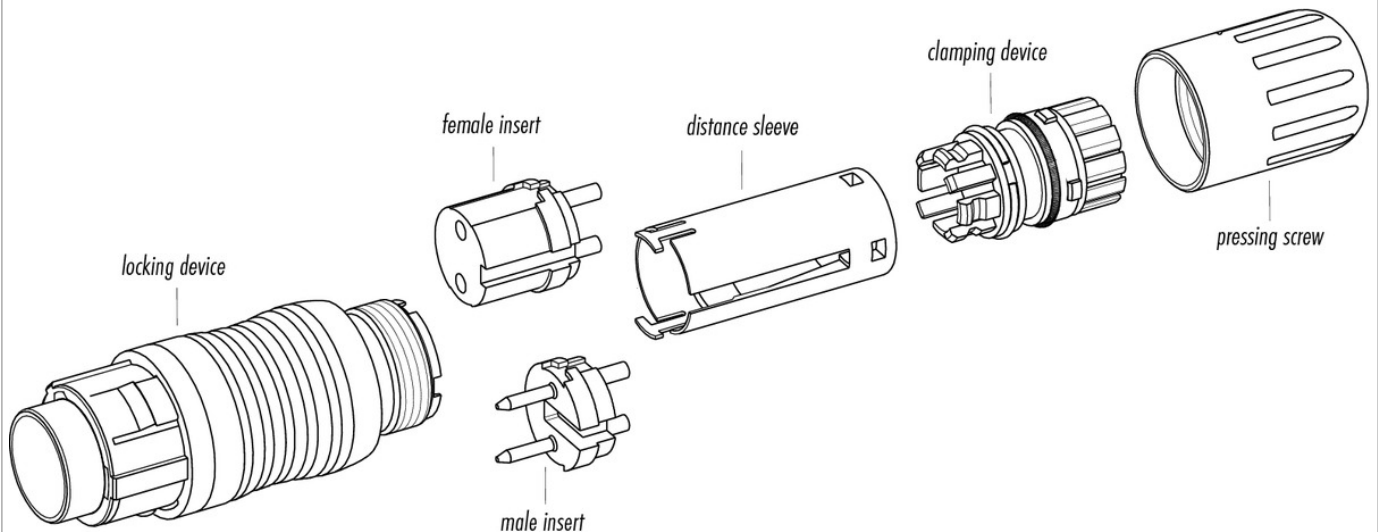
### Material

Contact material	CuZn (brass)
Contact plating	Au (gold)
Contact body material	PBT (UL 94 V-0)
Housing material	PA GF 25

Product description **Contacts: 12, cable plug connector, shieldable**

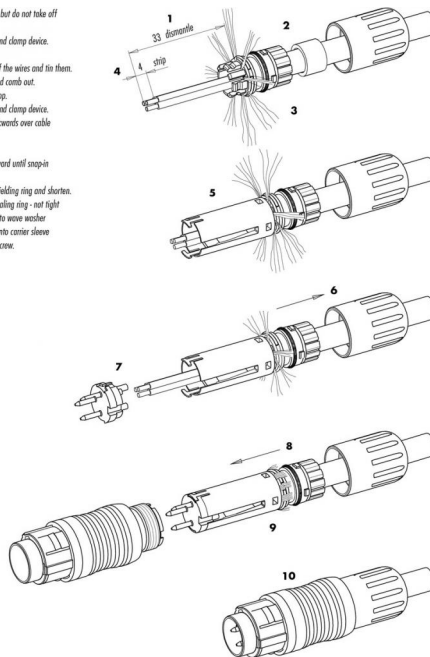
Area **Push-Pull IP67 Series 440**  
 Order number **99 4833 00 12**

**Component part drawing**



**Assembly instructions / Panel cut-out**

1. Strip to 33mm length but do not take off cable jacket.
2. Bend pressing screw and clamp device.
3. Remove cable jacket.
4. Strip the insulation off the wires and tin them.
5. Fan shielding braid and comb out. Thread wires around top.
6. Lock distance sleeve and clamp device.
7. Push metal units backwards over cable (approx. 10mm).
8. Solder inserts.
9. Push metal units forward until snap-in to contact insert.
10. Strip wires towards shielding ring and shorten. too long: wires on sealing ring - not tight too short: no contact to wave washer
11. Push assembled unit into carrier sleeve and tighten pressing screw.



Product description      **Contacts: 12, cable plug connector, shieldable**

Area      **Push-Pull IP67 Series 440**  
Order number      **99 4833 00 12**

## Security notices

The connectors are designed for use in plant, control system and electrical equipment. The end user is responsible for checking whether the connectors are suitable for use in other applications. Connectors with degree of protection IP 67 and IP 68 are not suitable for use under water. When used outdoors, the connectors must be separately protected against corrosion. For further information about IP degrees of protection refer to 'Technical support' in the Download Centre.