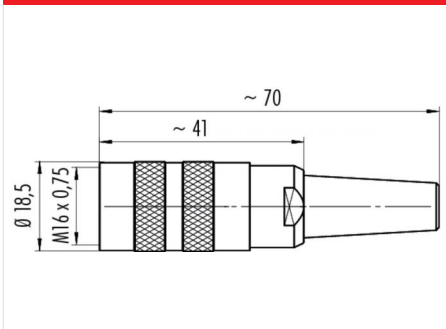


Product description	<b>M16 IP40 female cable connector, Contacts: 7, 6.0 - 8.0 mm, shieldable, crimp (Crimp contacts must be ordered separately), IP40</b>
Area	<b>M16 IP40 series 581</b>
Order number	<b>99 2026 702 07</b>

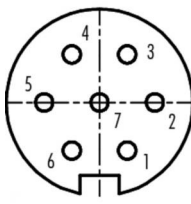
**Illustration**



**Scale drawing**



**Contact arrangement**



	X	Y
1	1,75	-3,03
2	3,50	0,00
3	1,75	3,03
4	-1,75	3,03
5	-3,50	0,00
6	-1,75	-3,03
7	0,00	0,00

**You can find the component part drawing on the next page.**

**Technical data**

**General values**

Connector design	female cable connector
Connector locking system	screw
Termination	crimp (Crimp contacts must be ordered separately)
Wire gauge (mm)	see crimp contacts under accessories
Cable outlet	6.0 - 8.0 mm
Upper limit temperature	100 °C
Lower limit temperature	- 40 °C
Customs tariff number	85369010

**Electrical values**

Rated current (40 °C)	5 A
Rated voltage	125 V
Rated impulse voltage	800 V
Pollution degree	1
Overvoltage category	I
Insulating material group	III
Insulation resistance	≥ 10 <sup>10</sup> Ω
EMC compliance	shieldable
Degree of protection	IP40
Mechanical operation	> 500 Mating cycles

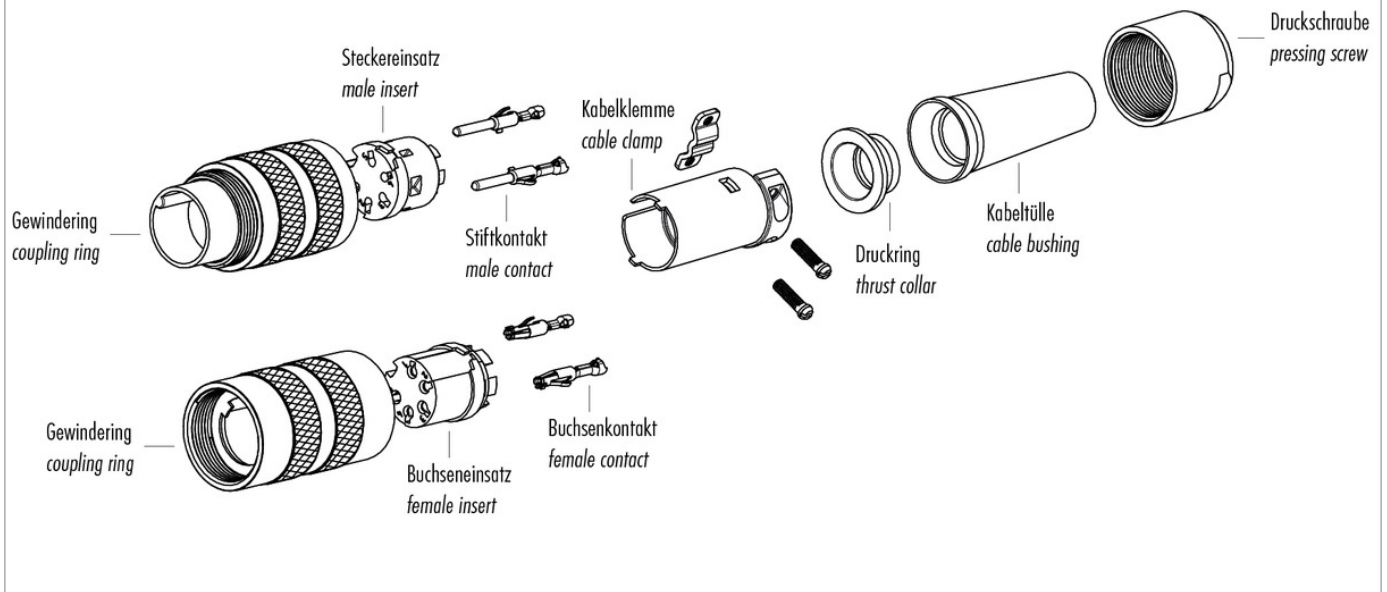
**Material**

Contact material	depending on crimp contact (accessory)
Contact body material	PBT (UL 94 V-0)

Product description **M16 IP40 female cable connector, Contacts: 7, 6.0 - 8.0 mm, shieldable, crimp (Crimp contacts must be ordered separately), IP40**

Area **M16 IP40 series 581**  
Order number **99 2026 702 07**

Component part drawing



Product description	<b>M16 IP40 female cable connector, Contacts: 7, 6.0 - 8.0 mm, shieldable, crimp (Crimp contacts must be ordered separately), IP40</b>
Area	<b>M16 IP40 series 581</b>
Order number	<b>99 2026 702 07</b>

## Security notices

The connector must not be connected or separated under load. Non-observance and incorrect use can result in personal injury.

The connectors are designed for use in plant, control system and electrical equipment. The end user is responsible for checking whether the connectors are suitable for use in other applications.

To prevent the connector being opened unintentionally when used in electrical circuits containing hazardous life parts, the thread between the housing and the connector head must be secured using a suitable cyanoacrylate adhesive. This does not apply to connectors used in SELV and PELV circuits according to IEC 61140 (EN 61140, VDE 0140-1).

Connectors used in electrical circuits containing hazardous life parts must only be assembled and used by or under the supervision of persons with the requisite electrotechnical training, taking the applicable regulations and standards into account.

To lock the cable connector to the equipment connector, the threaded ring is tightened until it is 'finger-tight' (approx. 50 cNm).