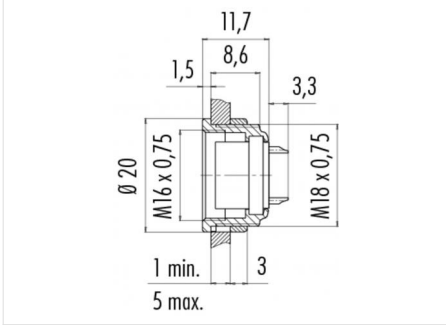


Product	Contacts: 12, female panel mount connector, solder, 12 - 19 contacts, gold plated contacts
Area	M16 IP40 Serier 581/ 680/ 682
Article number	09 0332 00 12

Illustration



Ritning



You can find the assembly instruction on the next page.

Technical data

General features

Kontaktdesign	female panel mount connector
Kontaktionslåsning	bolted
Anslutning	solder
Tvärsnitt (mm)	0,25 mm ²
Tvärsnitt (AWG)	24
Övre gränstemperatur	85 °C
Lägre gränstemperatur	-40 °C

Electrical parameters

Märkström (40°C)	3 A
Märkspänning	60 V
Märkstötspänning	500 V
Föroreningsgrad	1
Överspanningskategori	I
Isoleringsmaterialgrupp	III
Resistans	≤ 3 mΩ
Insulation resistance	≥ 1010Ω
EMV-behörighet	Shielding is not possible
Kapslingsklass	IP40
Mekanisk livslängd	> 500 Mating cycles

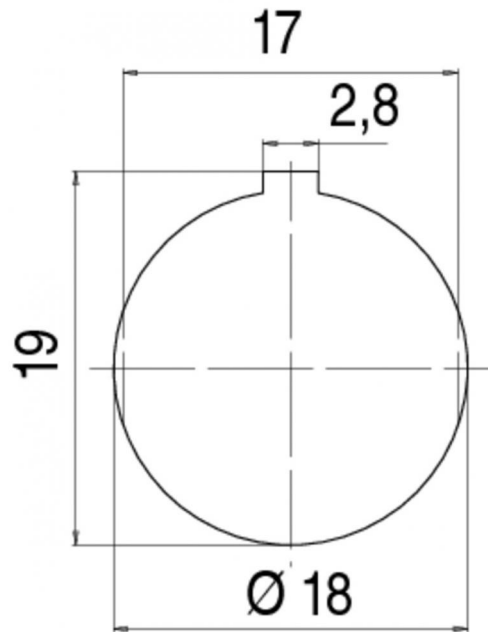
Material

Kontaktmaterial	CuSn (bronze)
Kontaktplätering	Au (gold)
Kontaktkroppsmaterial	PBT (UL 94 V-0)
Kontaktusmaterial	Zinc die-cast nickel-plated

Product **Contacts: 12, female panel mount connector, solder, 12 - 19 contacts, gold plated contacts**

Area **M16 IP40 Serier 581/ 680/ 682**
Article number **09 0332 00 12**

Installationsinstruktioner / Monteringsutdrag



Product	Contacts: 12, female panel mount connector, solder, 12 - 19 contacts, gold plated contacts
Area	M16 IP40 Serier 581/ 680/ 682
Article number	09 0332 00 12

Security notices

The connectors are designed for use in plant, control system and electrical equipment. The end user is responsible for checking whether the connectors are suitable for use in other applications.