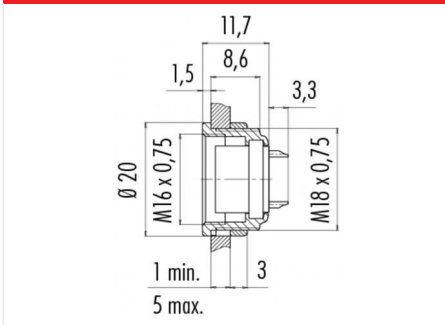


Product **Contacts: 14, female panel mount connector, solder, 12 - 19 contacts, gold plated contacts**
 Area **M16 IP40 Serier 581/ 680/ 682**
 Article number **09 0054 00 14**

Illustration



Ritning



You can find the assembly instruction on the next page.

Technical data

General features

Kontaktdesign female panel mount connector
 Kontaktdonslåsning bolted
 Anslutning solder
 Tvärsnitt (mm) 0,25 mm²
 Tvärsnitt (AWG) 24
 Övre gränstemperatur 85 °C
 Lägre gränstemperatur -40 °C

Electrical parameters

Märkström (40°C) 3 A
 Märkspänning 60 V
 Märkstötsspänning 500 V
 Föroreningsgrad 1
 Överspänningskategori I
 Isolermaterialgrupp III
 Resistans ≤ 3 mΩ
 Insulation resistance ≥ 1010Ω
 EMV-behörighet Shielding is not possible
 Kapslingsklass IP40
 Mekanisk livslängd > 500 Mating cycles

Material

Kontaktmaterial CuSn (bronze)
 Kontaktplätering Au (gold)
 Kontaktkroppsmaterial PBT (UL 94 V-0)
 Kontakthusmaterial Zinc die-cast nickel-plated

Product **Contacts: 14, female panel mount connector, solder, 12 - 19 contacts, gold plated contacts**

Area **M16 IP40 Serier 581/ 680/ 682**
Article number **09 0054 00 14**

Installationsinstruktioner / Monteringsutdrag



Product	Contacts: 14, female panel mount connector, solder, 12 - 19 contacts, gold plated contacts
Area	M16 IP40 Serier 581/ 680/ 682
Article number	09 0054 00 14

Security notices

The connectors are designed for use in plant, control system and electrical equipment. The end user is responsible for checking whether the connectors are suitable for use in other applications.