

Product	Contacts: 5, cable plug connector with cable clamp, screw terminal connection, shieldable, cable outlet 4 - 6 mm, silver plated contacts
Area	M16 IP67 Serier 423
Article number	99 5113 210 05

Illustration	Ritning	Polbild																		
		<table border="1" style="margin-left: auto; margin-right: auto;"> <thead> <tr> <th></th> <th>X</th> <th>Y</th> </tr> </thead> <tbody> <tr> <td>1</td> <td>3,03</td> <td>-1,75</td> </tr> <tr> <td>2</td> <td>3,03</td> <td>1,75</td> </tr> <tr> <td>3</td> <td>0,00</td> <td>3,50</td> </tr> <tr> <td>4</td> <td>-3,03</td> <td>1,75</td> </tr> <tr> <td>5</td> <td>-3,03</td> <td>-1,75</td> </tr> </tbody> </table>		X	Y	1	3,03	-1,75	2	3,03	1,75	3	0,00	3,50	4	-3,03	1,75	5	-3,03	-1,75
	X	Y																		
1	3,03	-1,75																		
2	3,03	1,75																		
3	0,00	3,50																		
4	-3,03	1,75																		
5	-3,03	-1,75																		

You can find the item description and assembly instruction on the next page.

## Technical data

### General features

Kontaktdesign	cable connector
Kontaktionslåsning	bolted
Anslutning	screw clamp
Tvårsnitt (mm)	0.25 - 1.5 mm <sup>2</sup>
Tvårsnitt (AWG)	24-16
Kabeluttag	4,0 - 6,0 mm
Övre gränstemperatur	95 °C
Lägre gränstemperatur	-30 °C

### Cable data

Godkännande 1	UL
---------------	----

### Electrical parameters

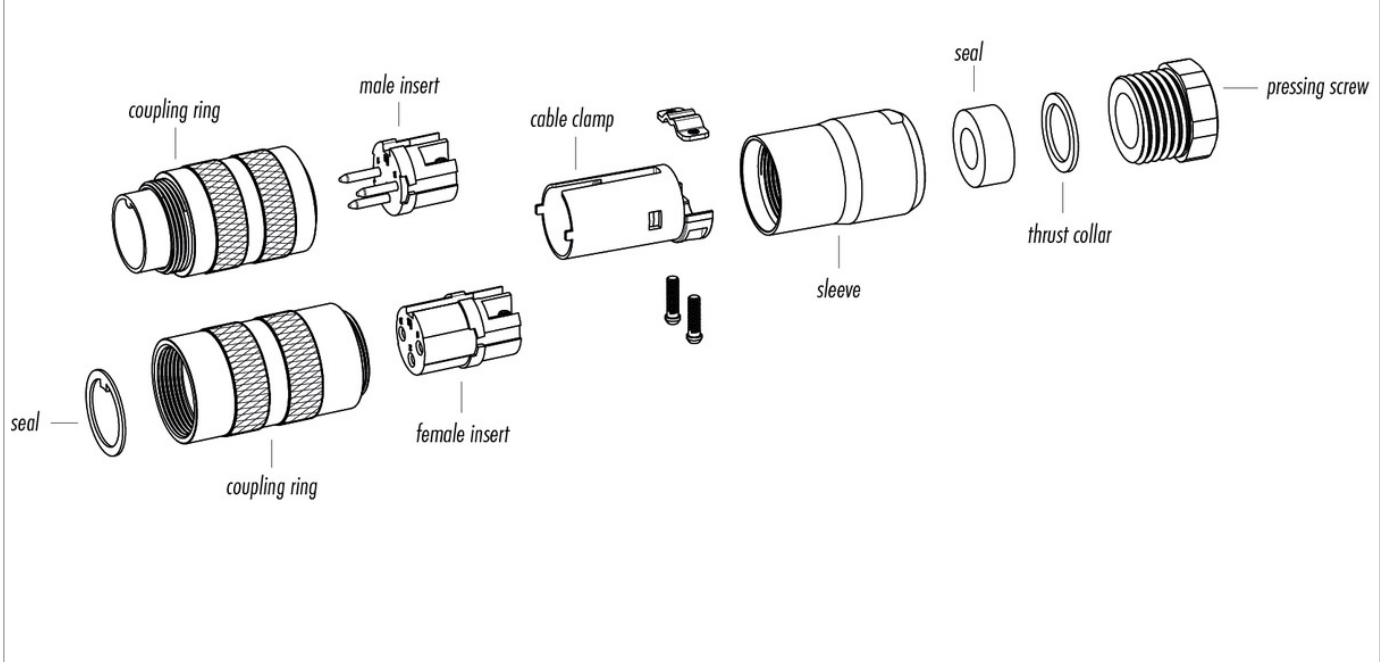
Märkström (40°C)	6 A
Märkspänning	250 V
Märkstötspänning	1500 V
Föroreningsgrad	1
Överspänningskategori	I
Isoleringsmaterialgrupp	III
Resistans	≤ 5 mΩ
Insulation resistance	≥ 10 <sup>10</sup> Ω
EMV-behörighet	shieldable
Kapslingsklass	IP67
Mekanisk livslängd	> 500 Mating cycles

### Material

Kontaktmaterial	CuZn (brass)
Kontaktplätering	Ag (silver)
Kontaktroppsmaterial	PBT (UL 94 V-0)

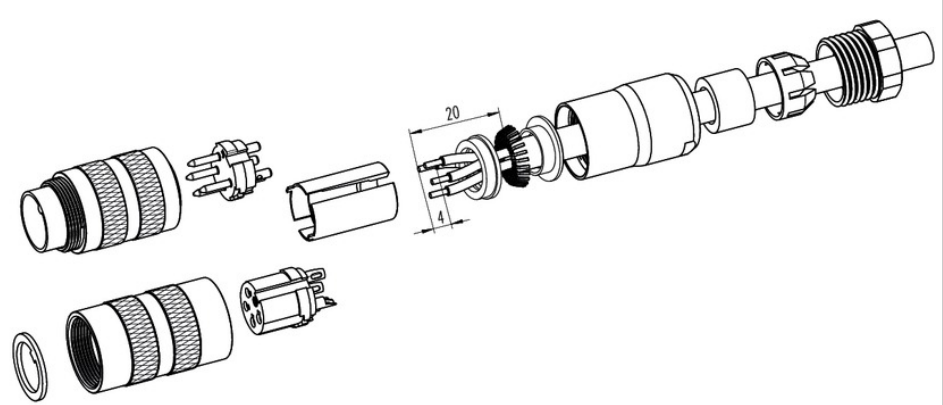
Product	Contacts: 5, cable plug connector with cable clamp, screw terminal connection, shieldable, cable outlet 4 - 6 mm, silver plated contacts
Area	M16 IP67 Serier 423
Article number	99 5113 210 05

Sprängskiss



Installationsinstruktioner / Monteringsutdrag

- Straight version**  
(Version with shield clamping ring)
1. Bead pressing screw, pinch ring, seal, distance shell and first shield clamping ring on cable.
  2. Strip wires, widen shield and bead second shield clamping ring.
  3. Solder wires, snap distance shell, push the two shield clamping rings together and cutt off projecting shielding braid.
  4. Assemble remaining parts according to picture.



Product	<b>Contacts: 5, cable plug connector with cable clamp, screw terminal connection, shieldable, cable outlet 4 - 6 mm, silver plated contacts</b>
Area	<b>M16 IP67 Serier 423</b>
Article number	<b>99 5113 210 05</b>

## Security notices

The connector must not be connected or separated under load. Non-observance and incorrect use can result in personal injury.

The connectors are designed for use in plant, control system and electrical equipment. The end user is responsible for checking whether the connectors are suitable for use in other applications.

Connectors used in electrical circuits containing hazardous life parts must only be assembled and used by or under the supervision of persons with the requisite electrotechnical training, taking the applicable regulations and standards into account.

Connectors with degree of protection IP 67 and IP 68 are not suitable for use under water. When used outdoors, the connectors must be separately protected against corrosion. For further information about IP degrees of protection refer to 'Technical support' in the Download Centre.

The connector is not suitable for mains voltages. Please observe the pollution degrees and the overvoltage category. For further information refer to 'Technical support' in the Download Centre.

To lock the cable connector to the equipment connector, the threaded ring is tightened until it is 'finger-tight' (approx. 50 cNm).