

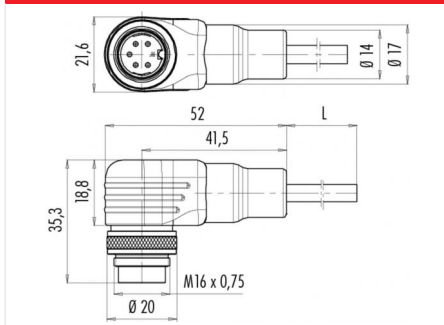
Product **Contacts: 5, cable: 5 x 0.25mm², male angled connector**

Area **M16 IP67 Serier 425**
 Article number **79 6213 200 05**

Illustration



Ritning



Technical data

General features

Kontaktdesign	male angled connector
Kontaktionslåsning	bolted
Anslutning	moulded on cable
Tvårsnitt (mm)	0,25 mm ²
Tvårsnitt (AWG)	24
Övre gränstemperatur	70 °C
Lågre gränstemperatur	-25 °C

Cable data

Mantelmateriel	PUR
Isoleringsfläta	PVC
Trådkonstruktion	32 x 0,1
Kabeldiameter	5
Fixerad böjningsradie kabel	50 mm
Rörlig böjningsradie kabel	75 mm

Electrical parameters

Märkström (40°C)	3 A
Märkspänning	250 V
Märkstötspänning	1500 V
Föroreningsgrad	1
Överspänningskategori	I
Isolermaterialgrupp	III
Resistans	≤ 3 mΩ
Insulation resistance	≥ 10 ¹⁰ Ω
EMV-behörighet	not shielded
Kapslingsklass	IP67
Mekanisk livslängd	> 500 Mating cycles

Material

Kontaktmaterial	CuZn (brass)
Kontaktplätering	Au (gold)
Kontaktkroppsmateriel	PBT (UL 94 V-0)
Kontaktusmateriel	PUR

Product	Contacts: 5, cable: 5 x 0.25mm², male angled connector
Area	M16 IP67 Serier 425
Article number	79 6213 200 05

Security notices

The connector must not be connected or separated under load. Non-observance and incorrect use can result in personal injury.

The connectors are designed for use in plant, control system and electrical equipment. The end user is responsible for checking whether the connectors are suitable for use in other applications.

Connectors with degree of protection IP 67 and IP 68 are not suitable for use under water. When used outdoors, the connectors must be separately protected against corrosion. For further information about IP degrees of protection refer to 'Technical support' in the Download Centre.

The connector is not suitable for mains voltages. Please observe the pollution degrees and the overvoltage category. For further information refer to 'Technical support' in the Download Centre.

To lock the cable connector to the equipment connector, the threaded ring is tightened until it is 'finger-tight' (approx. 50 cNm).