

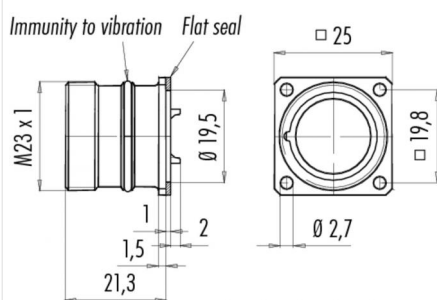
Product **Contacts: 16, male panel mount connector, front mounting, right-turning**

Area **M23 Power Serier 623**
Article number **99 4611 00 16**

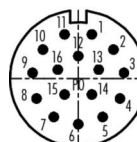
Illustration



Ritning



Polbild



	X	Y
1	1,70	5,50
2	4,40	3,60
3	5,70	0,70
4	5,70	-2,50
5	3,05	-4,80
6	0,00	-5,70
7	-3,05	-4,80
8	-5,70	-2,50
9	-5,70	0,70
10	-4,40	3,60
11	-1,70	5,50
12	0,00	2,80
13	2,55	1,10
14	1,70	-2,00
15	-1,70	-2,00
16	-2,55	1,10

Technical data

General features

Kontaktdesign	male panel mount connector
Kontaktionslösning	bolted
Anslutning	solder
Arrangement of contacts	clockwise
Tvärsnitt (mm)	1,00 mm ²
Tvärsnitt (AWG)	18
Övre gränstemperatur	125 °C
Lägre gränstemperatur	-20 °C

Electrical parameters

Märkström (40°C)	8 A
Märkspänning	150 V
Märkstötspänning	1500 V
Föroreningsgrad	3
Överspänningskategori	II
Isoleringsmaterialgrupp	III
Resistans	≤ 3 mΩ
Insulation resistance	≥ 10 ¹⁰ Ω
EMV-behörighet	Shielding is not possible
Kapslingsklass	IP67
Mekanisk livslängd	> 50 Mating cycles

Material

Kontaktmaterial	CuZn (brass)
Kontaktplätering	Au (gold)
Kontaktkroppsmaterial	PBT/PA66

Product	Contacts: 16, male panel mount connector, front mounting, right-turning
Area	M23 Power Serier 623
Article number	99 4611 00 16

Security notices

The connector must not be connected or separated under load. Non-observance and incorrect use can result in personal injury.

The connectors are designed for use in plant, control system and electrical equipment. The end user is responsible for checking whether the connectors are suitable for use in other applications.

Connectors with degree of protection IP 67 and IP 68 are not suitable for use under water. When used outdoors, the connectors must be separately protected against corrosion. For further information about IP degrees of protection refer to 'Technical support' in the Download Centre.