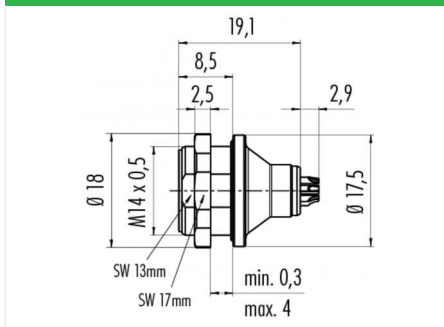


Product **Contacts: 5, male panel mount connector IP 67, front screw-connection**  
 Area **Push-Pull IP67 Serier 430**  
 Article number **09 4915 080 05**

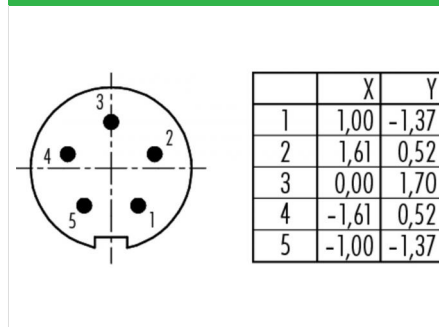
### Illustration



### Ritning



### Polbild



**You can find the assembly instruction on the next page.**

## Technical data

### General features

Kontaktdesign male panel mount connector  
 Kontaktdonslösning Push-Pull  
 Anslutning solder  
 Tvärsnitt (mm) 0,25 mm<sup>2</sup>  
 Tvärsnitt (AWG) 24  
 Övre gränstemperatur 85 °C  
 Lägre gränstemperatur -40 °C

### Electrical parameters

Märkström (40°C) 3 A  
 Märkspänning 125 V  
 Märkstötspänning 1500 V  
 Föroreningsgrad 2  
 Överspänningskategori I  
 Isolermaterialgrupp II  
 Resistans ≤ 5 mΩ  
 EMV-behörighet Shielding is not possible  
 Kapslingsklass IP67  
 Mekanisk livslängd > 500 Mating cycles

### Material

Kontaktmaterial CuZn (brass)  
 Kontaktplätning Au (gold)  
 Kontaktkroppsmaterial PBT, PA

Product

Contacts: 5, male panel mount connector IP 67, front screw-connection

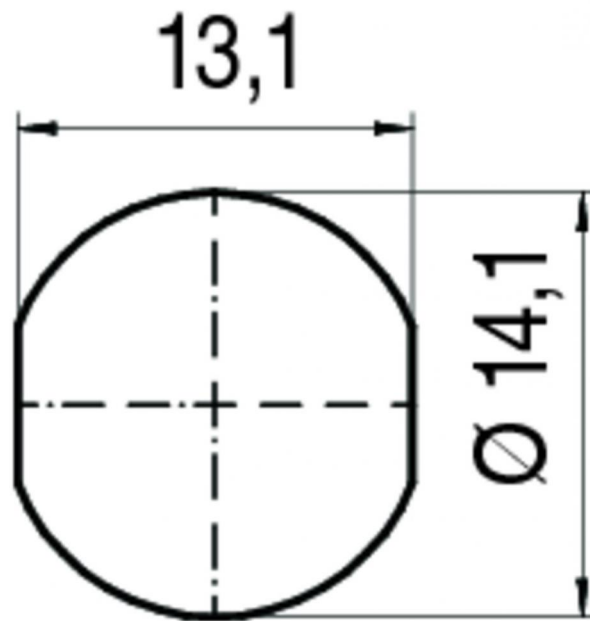
Area

Push-Pull IP67 Serier 430

Article number

09 4915 080 05

Installationsinstruktioner / Monteringsutdrag



Product	<b>Contacts: 5, male panel mount connector IP 67, front screw-connection</b>
Area	<b>Push-Pull IP67 Serier 430</b>
Article number	<b>09 4915 080 05</b>

## Security notices

The connector must not be connected or separated under load. Non-observance and incorrect use can result in personal injury.

The connectors are designed for use in plant, control system and electrical equipment. The end user is responsible for checking whether the connectors are suitable for use in other applications.

Connectors used in electrical circuits containing hazardous life parts must only be assembled and used by or under the supervision of persons with the requisite electrotechnical training, taking the applicable regulations and standards into account.

Connectors with degree of protection IP 67 and IP 68 are not suitable for use under water. When used outdoors, the connectors must be separately protected against corrosion. For further information about IP degrees of protection refer to 'Technical support' in the Download Centre.