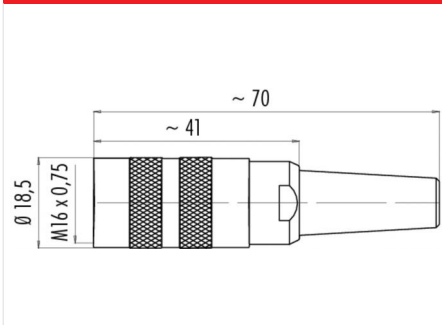


Product **Contacts: 8 DIN, female cable connector with cable clamp, shieldable, cable outlet 6 - 8 mm, gold plated contacts**  
 Area **M16 IP40 Serier 581**  
 Article number **99 2062 29 08**

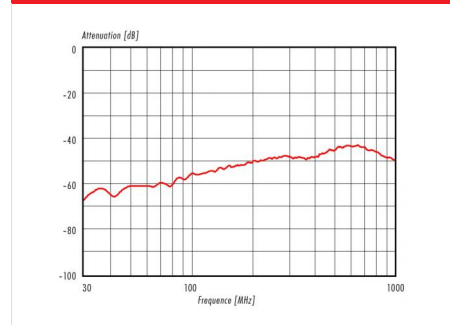
**Illustration**



**Ritning**



**Derating curve**



You can find the item description on the next page.

**Technical data**

**General features**

Kontaktdesign	female cable connector
Kontaktionslösning	bolted
Anslutning	solder
Tvärsnitt (mm)	0,75 mm <sup>2</sup>
Tvärsnitt (AWG)	20
Kabeluttag	6,0 - 8,0 mm
Övre gränstemperatur	85 °C
Lägre gränstemperatur	-40 °C

**Electrical parameters**

Märkström (40°C)	5 A
Märkspänning	60 V
Märkstötspänning	500 V
Föreningegrad	1
Överspanningskategori	I
Isoleringsmaterialgrupp	III
Resistans	≤ 3 mΩ
Insulation resistance	≥ 10 <sup>10</sup> Ω
EMV-behörighet	shieldable
Kapslingsklass	IP40
Mekanisk livslängd	> 500 Mating cycles

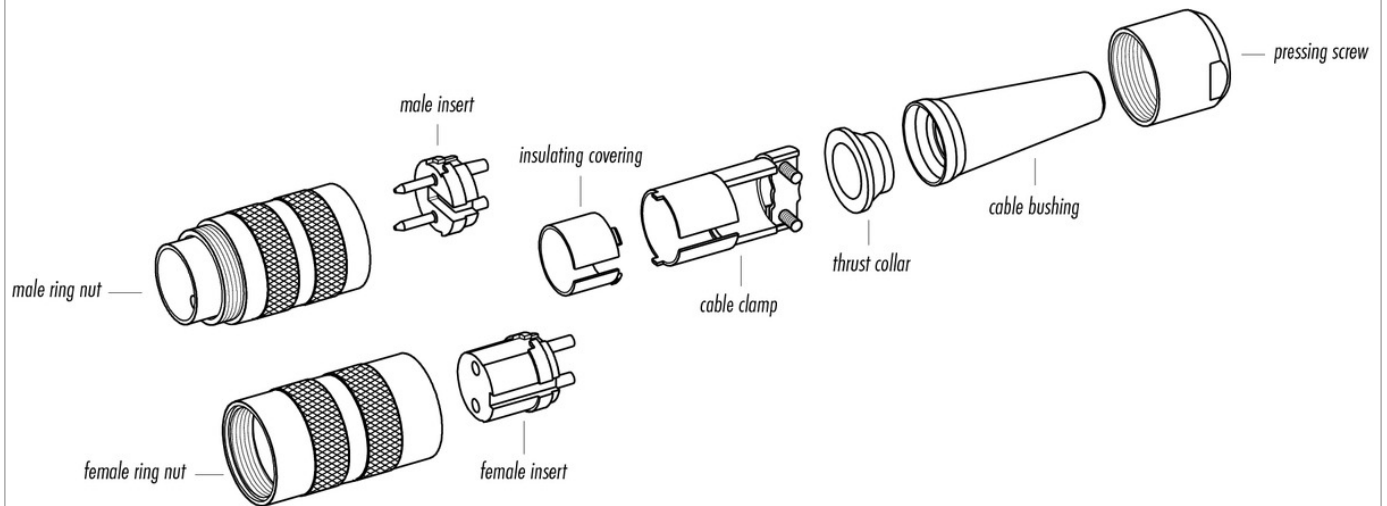
**Material**

Kontaktmaterial	CuSn (bronze)
Kontaktplätering	Au (gold)
Kontaktkroppsmaterial	PBT (UL 94 V-0)

Product **Contacts: 8 DIN, female cable connector with cable clamp, shieldable, cable outlet 6 - 8 mm, gold plated contacts**

Area **M16 IP40 Serier 581**  
Article number **99 2062 29 08**

### Sprängskiss



Product	<b>Contacts: 8 DIN, female cable connector with cable clamp, shieldable, cable outlet 6 - 8 mm, gold plated contacts</b>
Area	<b>M16 IP40 Serier 581</b>
Article number	<b>99 2062 29 08</b>

## Security notices

The connectors are designed for use in plant, control system and electrical equipment. The end user is responsible for checking whether the connectors are suitable for use in other applications.

To lock the cable connector to the equipment connector, the threaded ring is tightened until it is 'finger-tight' (approx. 50 cNm).