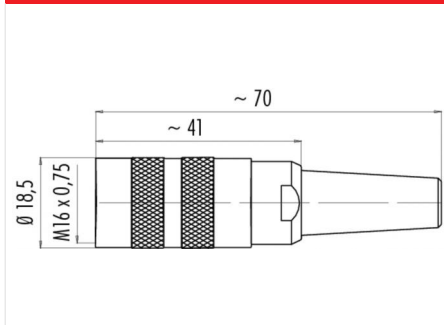


Product **Contacts: 24, female cable connector with cable clamp, shieldable, cable outlet 6 - 8 mm, gold plated contacts**
 Area **M16 IP40 Serier 581**
 Article number **99 2046 20 24**

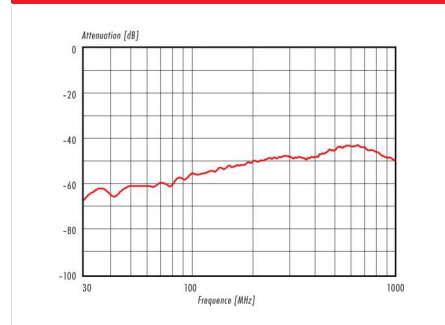
Illustration



Ritning



Derating curve



You can find the item description on the next page.

Technical data

General features

Kontaktdesign	female cable connector
Kontaktionslåsning	bolted
Anslutning	solder
Tvärsnitt (mm)	0,14 mm ²
Tvärsnitt (AWG)	26
Kabeluttag	6,0 - 8,0 mm
Övre gränstemperatur	85 °C
Lägre gränstemperatur	-40 °C

Electrical parameters

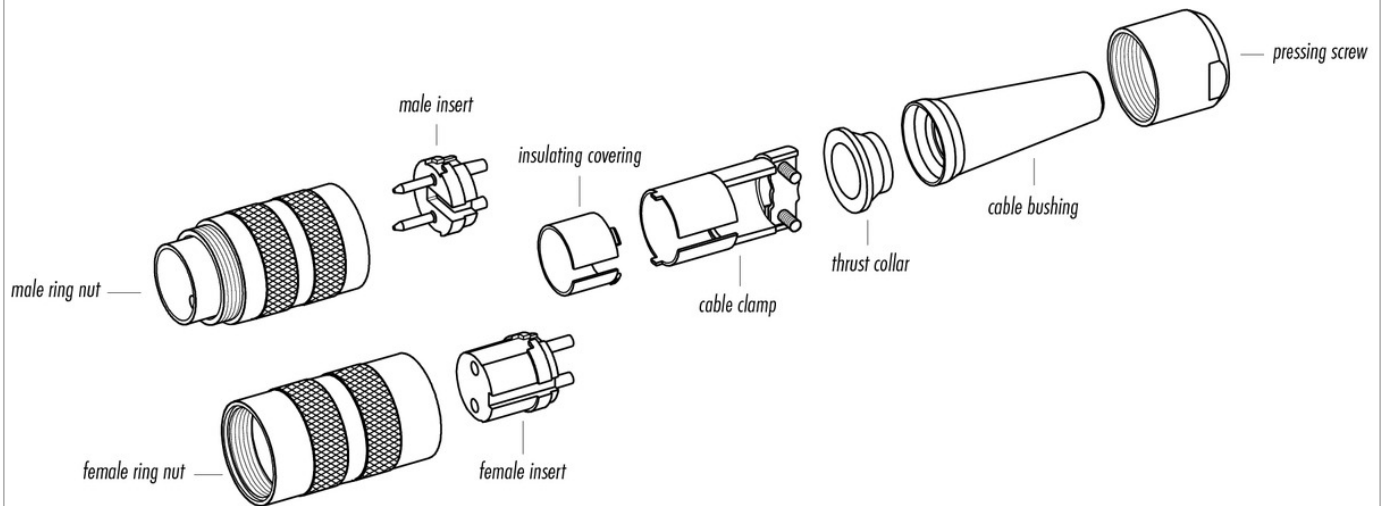
Märkström (40°C)	1 A
Märkspänning	60 V
Märkstötspänning	500 V
Föreningegrad	1
Överspänningskategori	I
Isoleringsmaterialgrupp	III
Resistans	≤ 3 mΩ
Insulation resistance	≥ 10 ¹⁰ Ω
EMV-behörighet	shieldable
Kapslingsklass	IP40
Mekanisk livslängd	> 500 Mating cycles

Material

Kontaktmaterial	CuSn (bronze)
Kontaktplätering	Au (gold)
Kontaktkroppsmaterial	PBT (UL 94 V-0)

Product	Contacts: 24, female cable connector with cable clamp, shieldable, cable outlet 6 - 8 mm, gold plated contacts
Area	M16 IP40 Serier 581
Article number	99 2046 20 24

Sprängskiss



Product	Contacts: 24, female cable connector with cable clamp, shieldable, cable outlet 6 - 8 mm, gold plated contacts
Area	M16 IP40 Serier 581
Article number	99 2046 20 24

Security notices

The connectors are designed for use in plant, control system and electrical equipment. The end user is responsible for checking whether the connectors are suitable for use in other applications.

To lock the cable connector to the equipment connector, the threaded ring is tightened until it is 'finger-tight' (approx. 50 cNm).